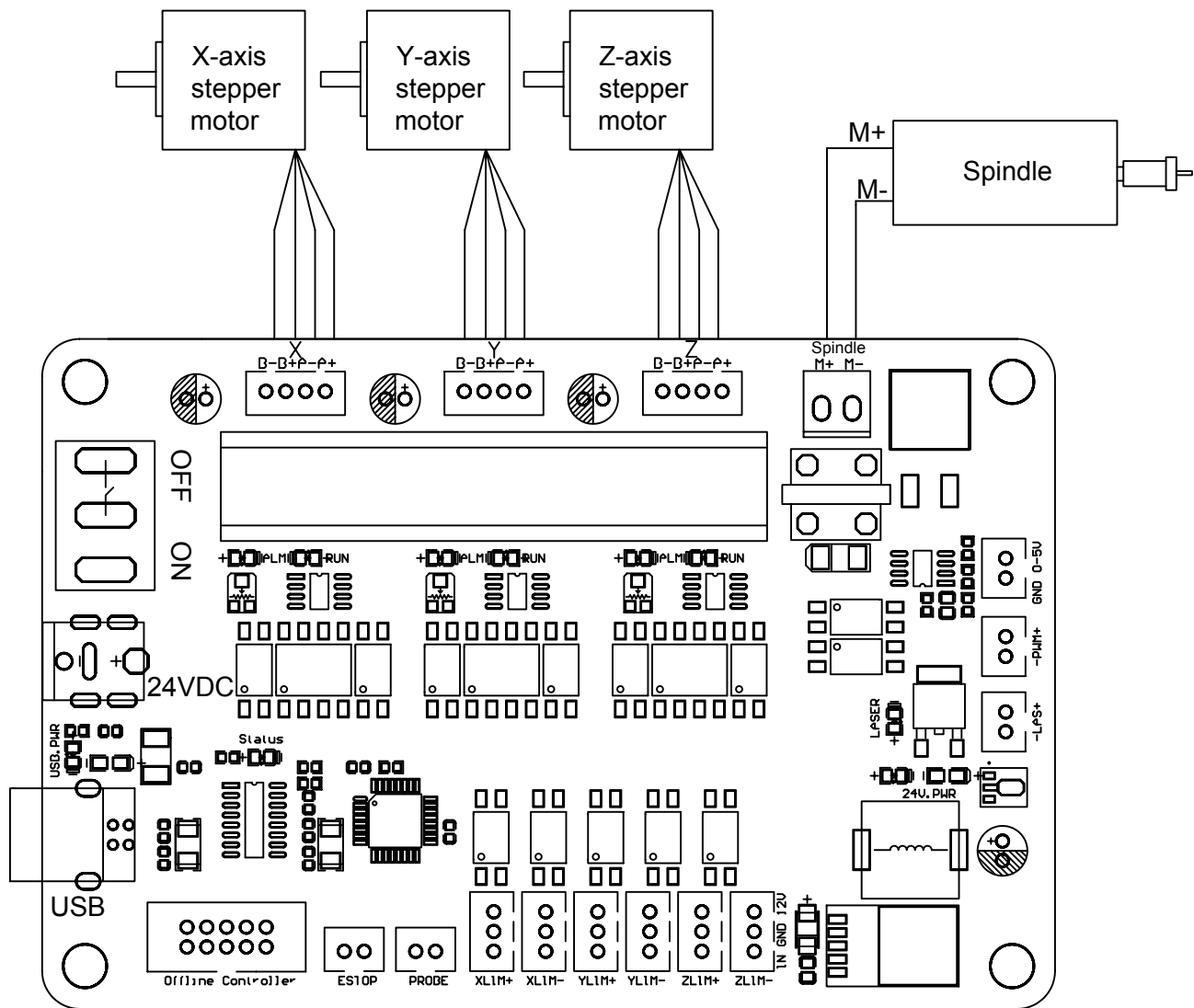


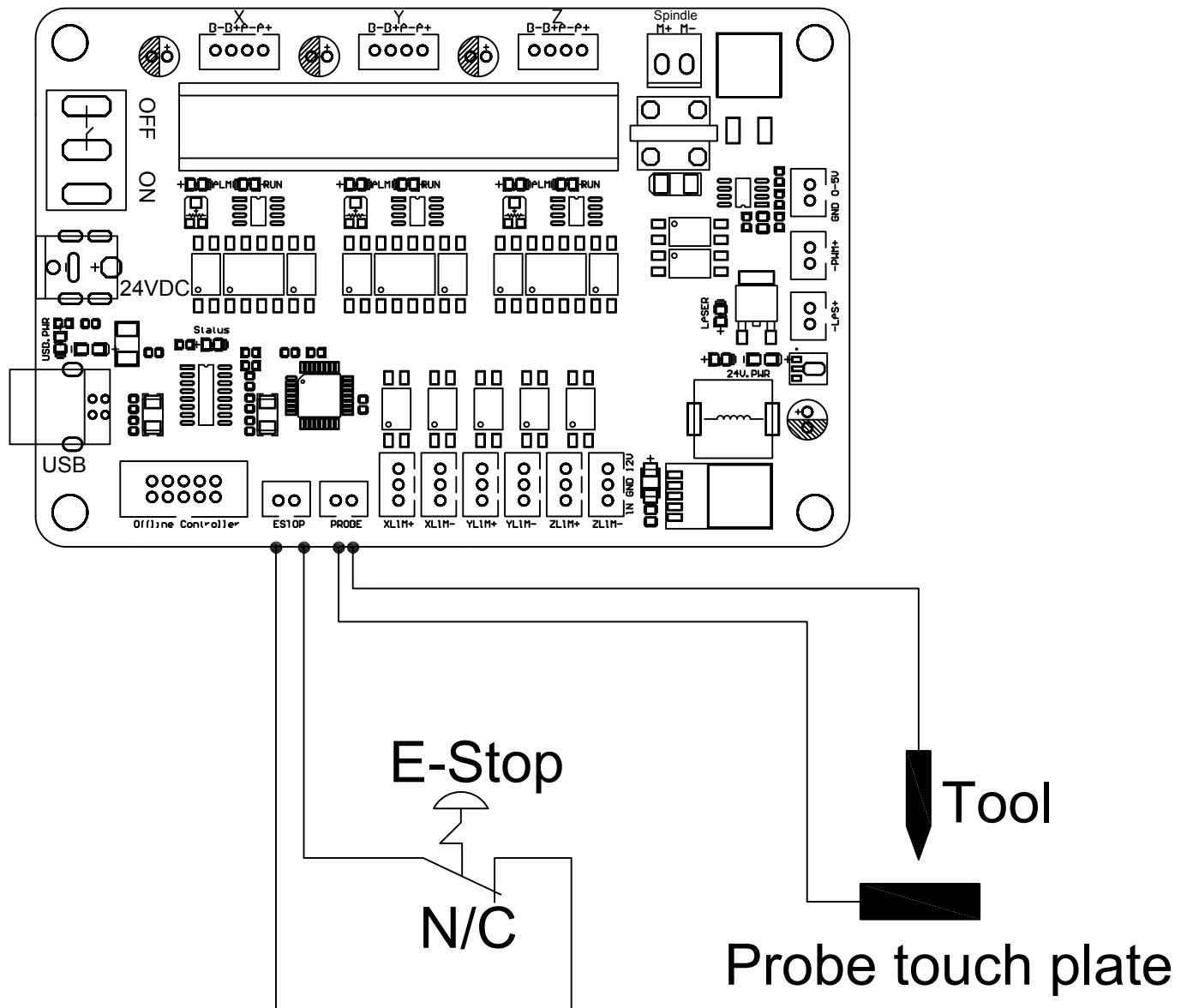
3018-PROVer Controller WIRING DIAGRAM

Stepper motor and spindle



Note: Motor Interface M+ is connected to spindle M+,
Motor interface M- is connected to spindle M-.

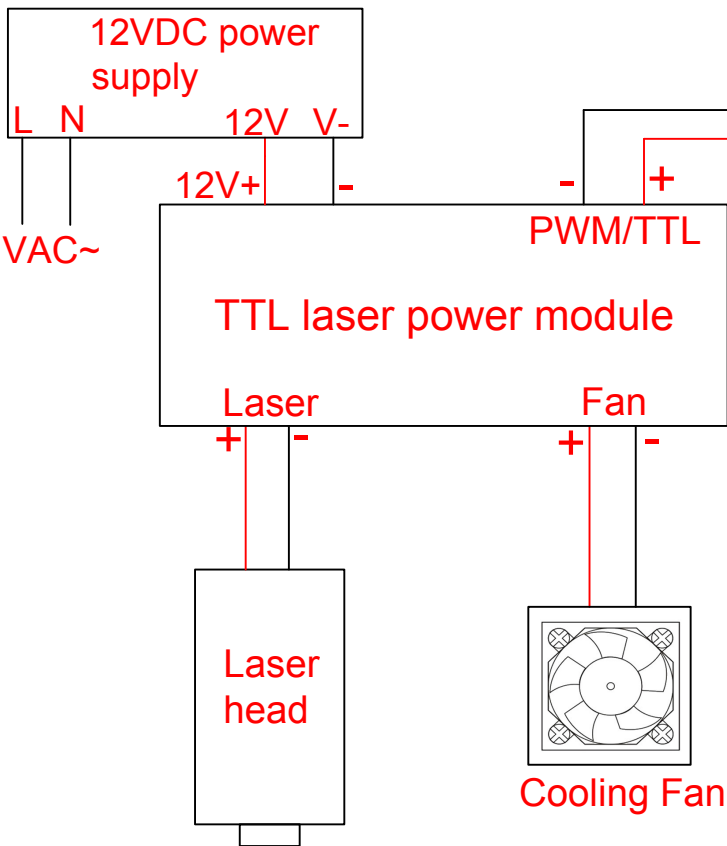
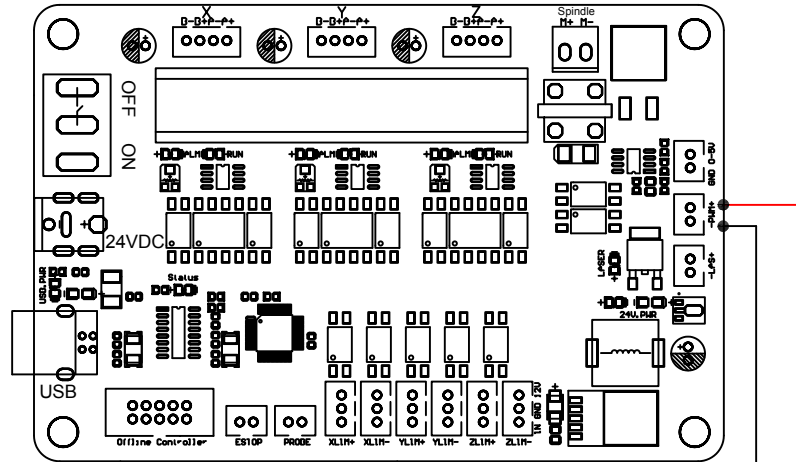
3018-PROVer Controller WIRING DIAGRAM E-STOP & Probe



N/C: Normally Closed Contact

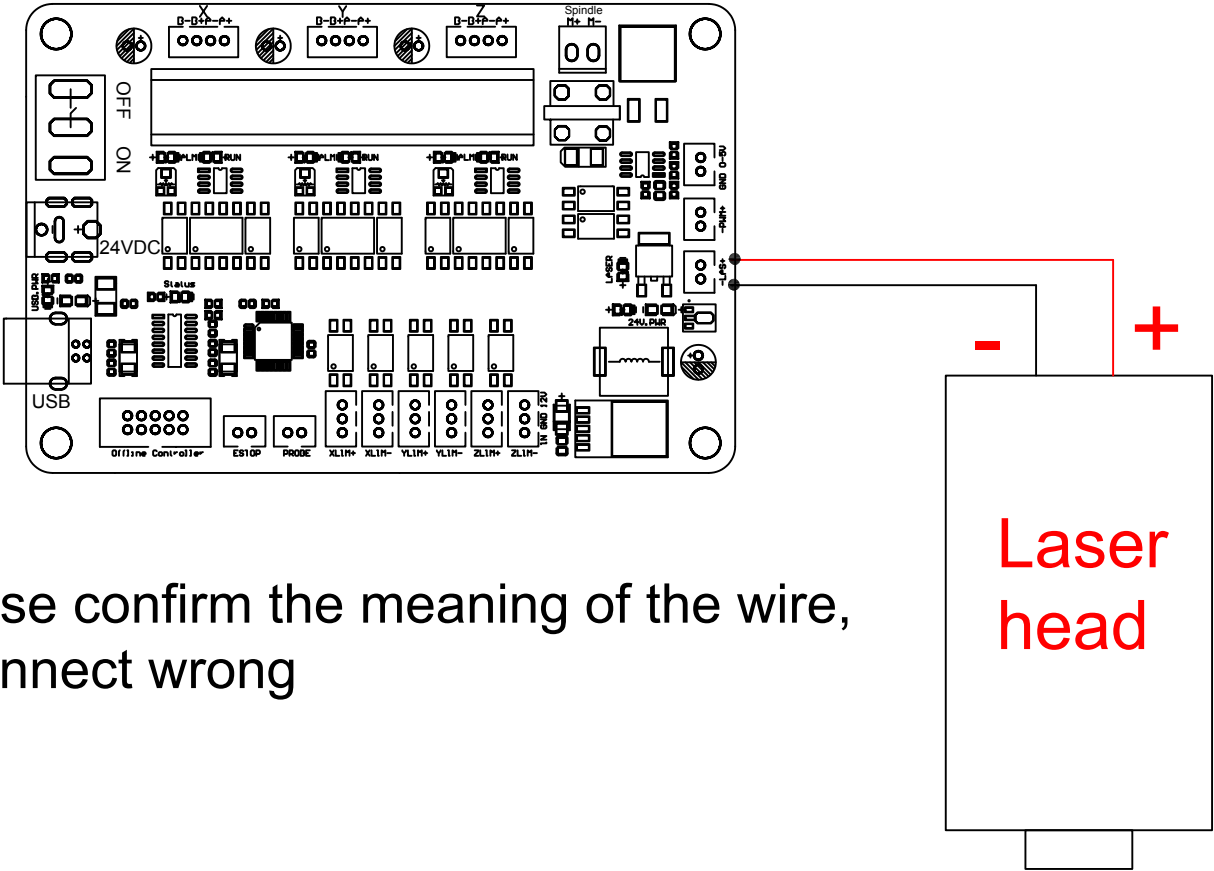
3018-PROVer Controller WIRING DIAGRAM

TTL laser power module



Note: Please confirm the meaning of the wire, can not connect wrong

3018-PROVer Controller WIRING DIAGRAM Laser head(2P Wire)



Note: Please confirm the meaning of the wire, can not connect wrong

3018-PROVer Controller WIRING DIAGRAM

DC spindle

